

# AC Axial Fans

Series 8000 TA 76 Ø x 37 mm

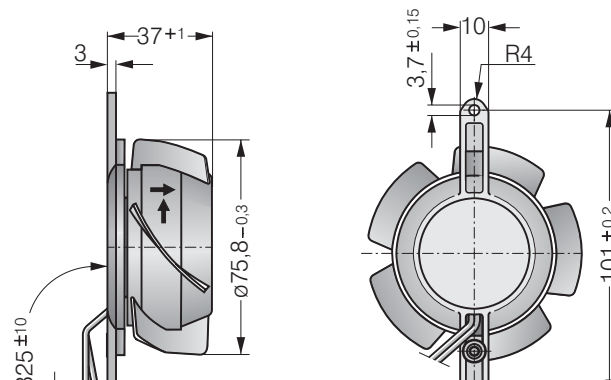


- AC fans with external rotor shaded-pole motor. Impedance protected against overloading.
- Impeller and mounting bracket of metal.
- Air intake over mounting bracket. Rotational direction CW looking at rotor.
- Electrical connection via 2 leads. Stripped and tinned ends.
- Mass: 370 g.

Nominal Data	Air Flow		Nominal Voltage	Frequency	Noise	Sinter-Sleeve Bearings Ball Bearings	Power Input	Nominal Speed	Temperature Range	Service Life L <sub>10</sub>		Curve
	m <sup>3</sup> /h	CFM								V	Hz	
8880 TA	23	13.5	230	50	15	□	9.0	1 650	-10...+80	60 000 / 25 000		-
8850 TA	30	17.7	230	50	19	□	12.0	2 100	-10...+70	52 500 / 25 000		-
8550 TA	38	22.4	230	50	25	□	12.0	2 650	-10...+70	52 500 / 25 000		-
8556 TA	38	22.4	230	50	26	■	12.0	2 750	-40...+90	52 500 / 15 000		-
8830 TA	26	15.3	115	60	18	□	8.0	1 850	-10...+80	62 500 / 25 000		-
8800 TA	34	20.0	115	60	23	□	11.0	2 450	-10...+70	55 000 / 27 500		-
8500 TA	45	26.5	115	60	30	□	11.0	3 150	-10...+75	55 000 / 25 000		-
8506 TA	45	26.5	115	60	31	■	11.0	3 250	-40...+95	55 000 / 15 000		-

The air flow and noise level of fans without external housing depends on the installation conditions. The stated air flow and noise has been measured with an orifice 76.5 mm Ø at a distance of approx. 17 mm from the mounting bracket. Under exceptionally favourable mounting conditions, the air flow of fan series 8000 A is achievable. The noise in the optimal operating range can only be measured for these fans in a specific application.

Fan Type				Lead Wires	
8880 TA	8850 TA	8830 TA	8800 TA	325 mm long	AWG 18, TR 64
8550 TA	8500 TA			325 mm long	AWG 18, TR 64
8556 TA	8506 TA			325 mm long	AWG 18



# AC Axial Fans

Series 8000 TV 76 Ø x 37 mm



- AC fans with external rotor shaded-pole motor. Impedance protected against overloading.
- Impeller and mounting bracket of metal.
- Air exhaust over struts. Rotational direction CW looking at rotor.
- Electrical connection via 2 leads. Stripped and tinned ends.
- Mass: 370 g.

Nominal Data	Air Flow		Nominal Voltage	Frequency	Noise	Sinter-Sleeve Bearings Ball Bearings	Power Input	Nominal Speed	Temperature Range	Service Life L <sub>10</sub> at 40 °C		Curve
	m <sup>3</sup> /h	CFM								V	Hz	
8880 TV	24	14.1	230	50	15	□	9.0	1 650	-10...+80	60 000 / 25 000		-
8850 TV	31	18.2	230	50	20	□	12.0	2 100	-10...+70	52 500 / 25 000		-
8550 TV	40	23.5	230	50	27	□	12.0	2 650	-10...+70	52 500 / 25 000		-
8556 TV	40	23.5	230	50	28	■	12.0	2 750	-40...+90	52 500 / 15 000		-
8830 TV	27	15.9	115	60	18	□	8.0	1 850	-10...+80	62 500 / 25 000		-
8800 TV	36	21.2	115	60	24	□	11.0	2 450	-10...+70	55 000 / 27 500		-
8500 TV	47	27.7	115	60	32	□	11.0	3 150	-10...+75	55 000 / 25 000		-
8506 TV	47	27.7	115	60	33	■	11.0	3 250	-40...+95	55 000 / 15 000		-

The air flow and noise level of fans without external housing depends on the installation conditions. The stated air flow and noise has been measured with an orifice 76.5 mm Ø at a distance of approx. 17 mm from the mounting bracket. Under exceptionally favourable mounting conditions, the air flow of fan series 8000 N is achievable. The noise in the optimal operating range can only be measured for these fans in a specific application.

Fan Type				Lead Wires	
8880 TV	8850 TV	8830 TV	8800 TV	325 mm long	AWG 18, TR 64
8550 TV	8500 TV			325 mm long	AWG 18, TR 64
8556 TV	8506 TV			325 mm long	AWG 18

