

AC axial fans

K-Range, Ø 360



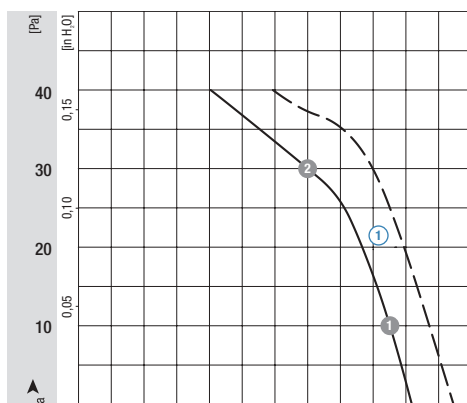
ebm-papst • Mulfingen

Nominal data		Characteristic	Voltage	Frequency	Air flow	Speed/rpm	Power input	Current draw	Capacitor	Noise level	Max. back pressure	Perm. amb. temp.	Mass
Type	Motor	VAC	Hz	m ³ /h	min ⁻¹	W	A	µF/VDB	dB(A)	Pa	°C	kg	
*6E 360	M6E068-DF	①	230	50	2030	850	65	0,29	2,5/400	46	40	50	2,0
			230	60	2290	960	85	0,38	2,5/400	51	40	40	

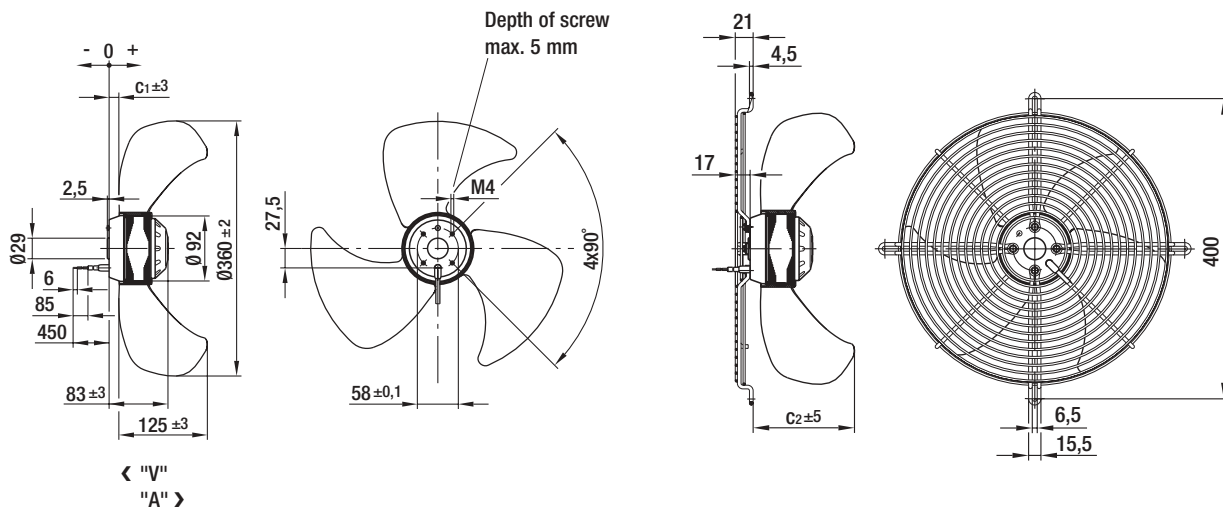
subject to alterations

	n [min ⁻¹]	P ₁ [W]
① ①	850	64
① ②	820	67

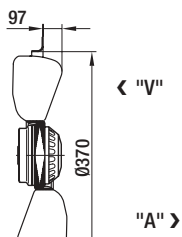
Characteristics



Selection	Cable exit	Direction of air flow	Dimensions			
			Type	S/A/B	C ₁	C ₂
*6E 360	A	"V"	A6E 360-AE08 -01	S6E 360-AE08 -01	13	134
		"A"	A6E 360-AE08 -02	---	-42	---



Mounting configuration



AC axial fans

K-Range, Ø 360



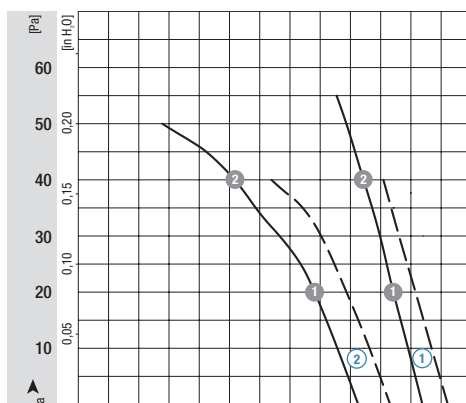
ebm-papst • Mulfingen

Nominal data		Characteristic	Voltage	Frequency	Air flow	Speed/rpm	Power input	Current draw	Capacitor	Noise level	Max. back pressure	Perm. amb. temp.	Mass
Type	Motor	VAC	Hz	m ³ /h	min ⁻¹	W	A	µF/VDB	dB(A)	Pa	°C	kg	
*4E 360	M4E068-DF	①	230	50	2275	1320	115	0,54	3,0/400	55	55	40	2,1
			230	60	2440	1430	145	0,64	3,0/400	57	40	40	
*6E 360	M6E068-DF	②	230	50	1850	850	65	0,29	2,5/400	49	50	55	2,2
			230	60	2060	960	85	0,38	2,5/400	52	40	45	

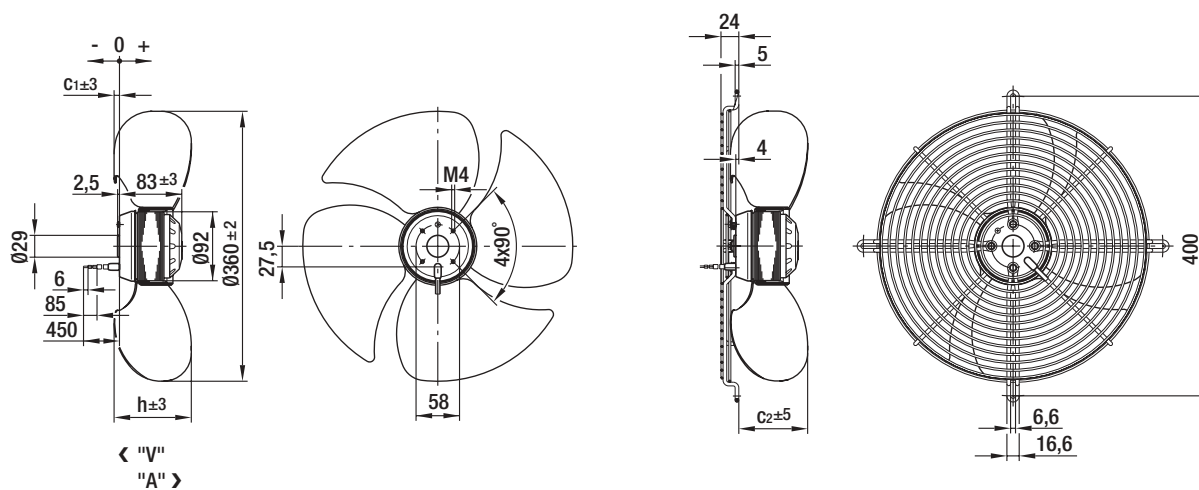
subject to alterations

	n [min ⁻¹]	P ₁ [W]
① ①	1310	113
① ②	1300	119
② ①	840	66
② ②	790	71

Characteristics



Selection	Cable exit	Direction of air flow	Dimensions					
			Type	S/A/B	c ₁	c ₂	h	l
*4E 360	B	"V"	A4E 360-AC20 -05	S4E 360-EC20 -05	8	88	84	43
		"A"	A4E 360-AC20 -06	---	-8	72	84	43
*6E 360	A	"V"	A6E 360-AA08 -05	S6E 360-EA08 -05	-11	65	103	65
		"A"	A6E 360-AA08 -06	---	-8	38	103	65



Mounting configuration

