

AC centrifugal blowers and fans

single inlet, Ø 097

- **Material:** scroll housing and impeller made of galvanised sheet steel



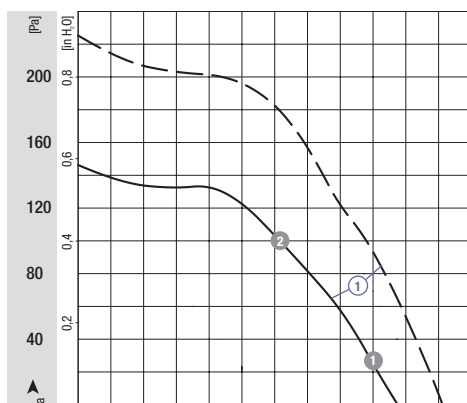
ebm-papst • Mulfingen

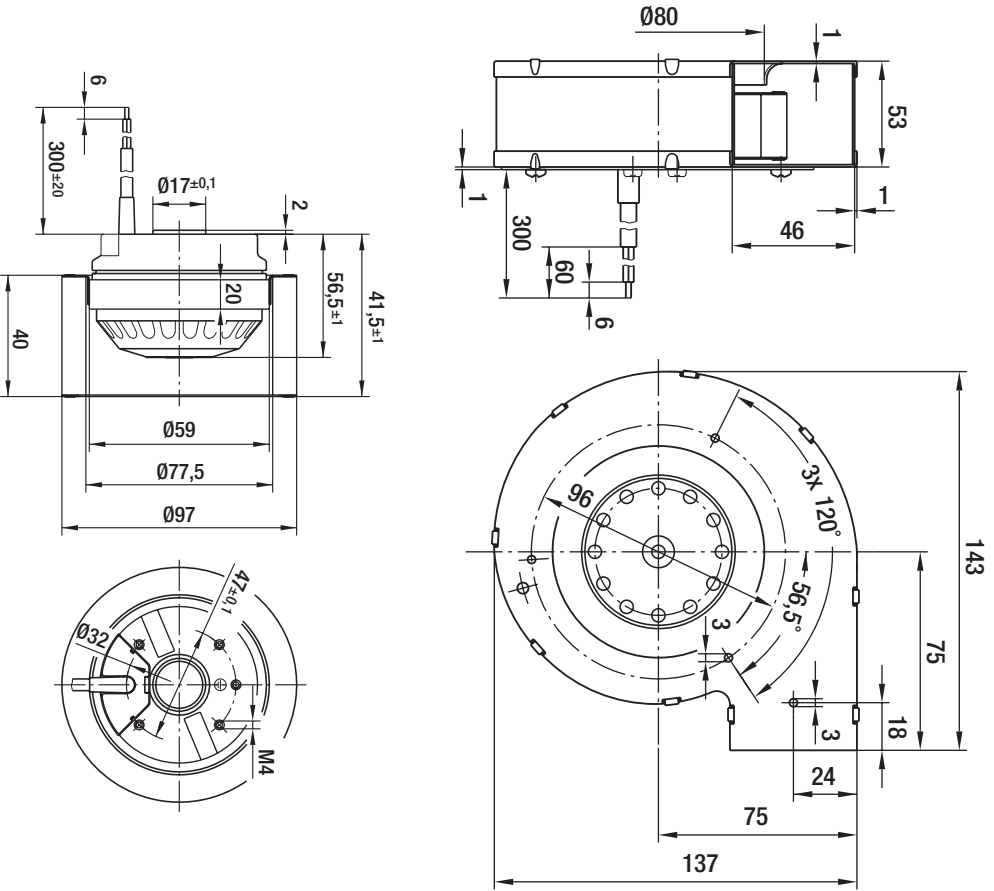
Nominal data		Characteristic	Voltage	Frequency	Air flow	Speed/rpm	Power input	Current draw	Capacitor	Noise level	Min. back pressure	Perm. amb. temp.	Mass
Type	Motor		VAC	Hz	m ³ /h	min ⁻¹	W	A	µF/VDB	dB(A)	Pa	°C	kg
G2E 097-HD01 -02 ⁽¹⁾	M2E 042-CA	①	230	50	100	2050	35	0,16	1,5/400	55	0	40	1,1
R2E 097-AD01 -05 ⁽¹⁾			230	60	110	2300	37	0,17	1,5/400	58	0	55	0,6

subject to alterations ① FPU (P2) capacitor in keeping with IEC 252

	n [min ⁻¹]	P ₁ [W]
① ①	2120	35
① ②	2335	33

Characteristics





Scroll dimensions
S. 54

Inlet ring
S. 341

Capacitor
S. 356 f.