



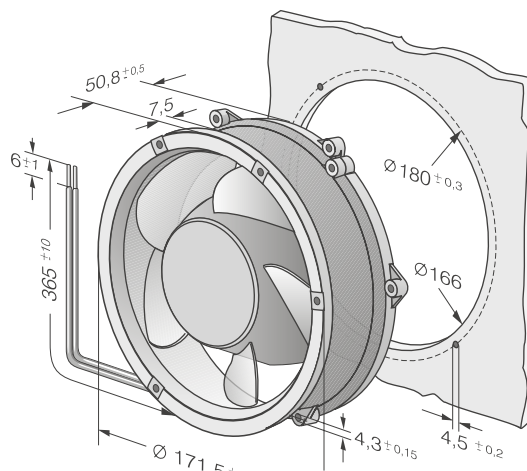
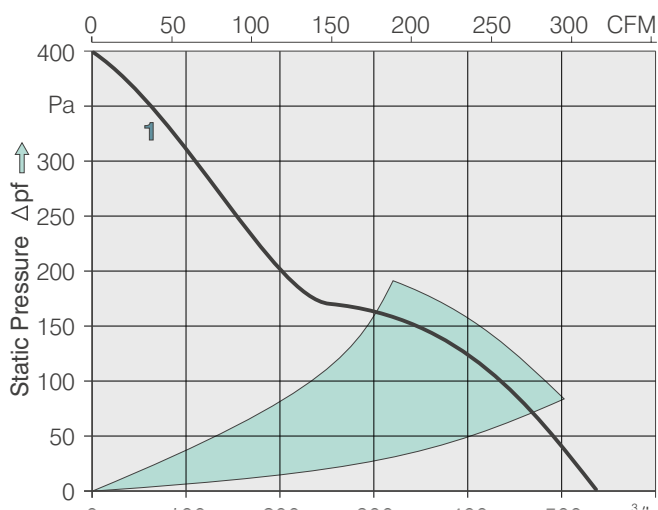
■ DC fans with electronically commutated external rotor motor. Fully integrated commutation electronics. With electronic protection against reverse polarity and blocking; electronic motor current limitation in the start-up phase and when rotor is blocked.

- Metal fan housing, impeller of fibre-glass reinforced plastic PA.
- Air exhaust over struts. Rotational direction CCW looking at rotor.
- Electrical connection via leads AWG 22, TR 64. Stripped and tinned ends. Housing with ground lug and screw M4 x 8 (TORX).
- Mass 820 g.

Series DV6200

172 Ø x 51 mm

Air flow		Nominal Voltage	Voltage Range		Noise		Sinter-Sleeve Bearings		Power Input	Nominal Speed	Temperature Range	Service Life L ₁₀		Curve	Type	Specials
m ³ /h	CFM		V DC	V DC	dB(A)	bels	□/■	Watt				min ⁻¹	°C			
540	317.8	24	16...28	63	7.1	■	40.0	4 300	-20...+75	90 000 / 40 000	1	DV6224	59/61/63/64/68			
540	317.8	48	28...60	63	7.1	■	40.0	4 300	-20...+75	90 000 / 40 000	1	DV6248	61/68			





- DC electronic fan with 3 phase EC drive and fully integrated operating electronics. For load-dependent speed control with highly intelligent motor management and power and speed reserves which open up completely new areas of application.

- Metal fan housing, impeller of fibre-glass reinforced plastic PA.
- Air exhaust over struts. CCW rotational direction looking at rotor.
- Electrical connection via leads. AWG 22, TR 64. Stripped and tinned ends. Housing with ground lug and screw M4x8 (TORX).
- Mass 820 g.

Series DV6200TD 172 Ø x 51 mm TURBOFAN

Air flow		Nominal Voltage	Voltage Range	Noise		Sinter-Sleeve Bearings		Power Input	Nominal Speed	Temperature Range	Service Life L ₁₀ at 40 °C	Curve	Type	Specials
m ³ /h	CFM			V DC	dB(A)	bels	□/■							
min	100	59.0	48	40...55	29	—	■	20	800	-20...+60	65 000	1	DV6248 TD...	67
max	700	412.0												

Type

Version

DV 6248 TDI	Temperature-controlled fan operation. NTC sensor integrated in fan
DV 6248 TDT	Temperature-controlled fan operation. NTC sensor externally connected to separate lead
DV 6248 TDA	Speed setting via control voltage
DV 6248 TDP	Speed setting via PWM signal

24 V versions in preparation

