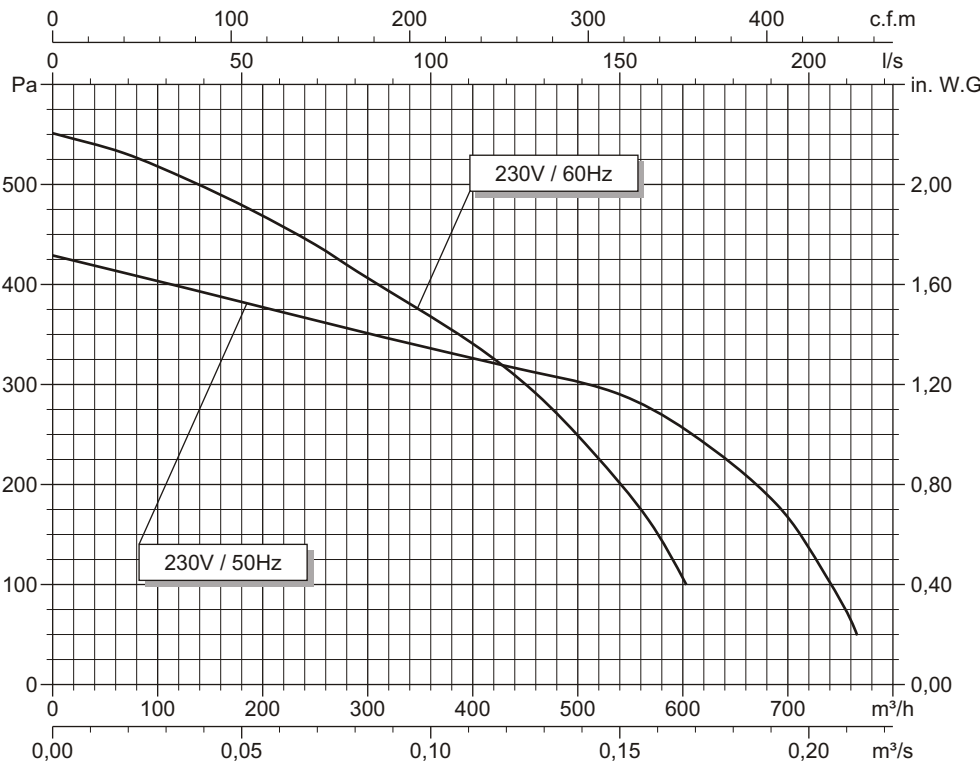
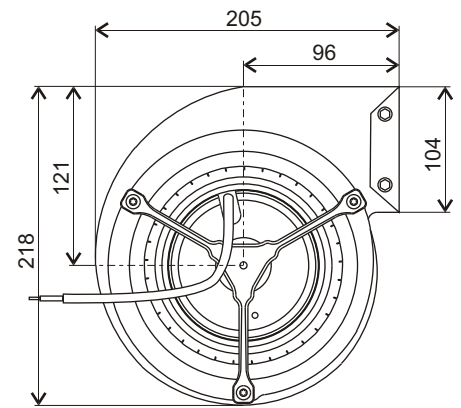
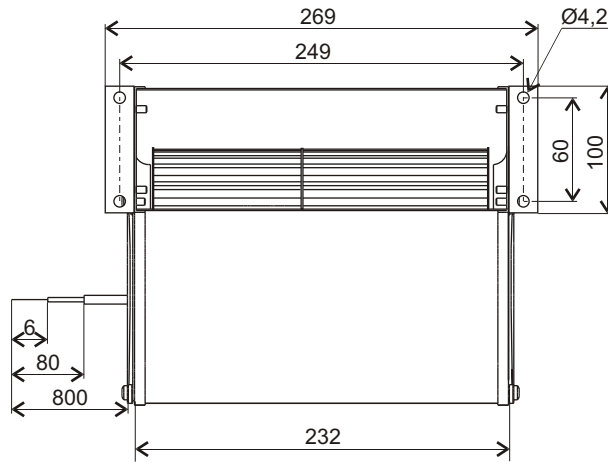


For professional use only. Please refer to the conditions of use of our catalogue.

March 2002

## 2GDS35 133x190L code Z18-09

Voltage	Frequency	Input power	Current	Capacitor	Air flow	Rotational speed	Sound level	Direction of rotation	Max. Air temp.
V	Hz	Wa	A	µF	m <sup>3</sup> /h	rpm	dBA	↻	°C
230	50	213	1,00	5	765	1465	54	L	-20 / +50
230	60	205	0,96	4	605	1710	58	L	-20 / +50



- Ball bearings.
- Cl.F windings protected by thermal cut-out.
- Protection IP 44.
- Balancing G2.5.
- Steel painted black scroll.
- Galvanised steel impeller

