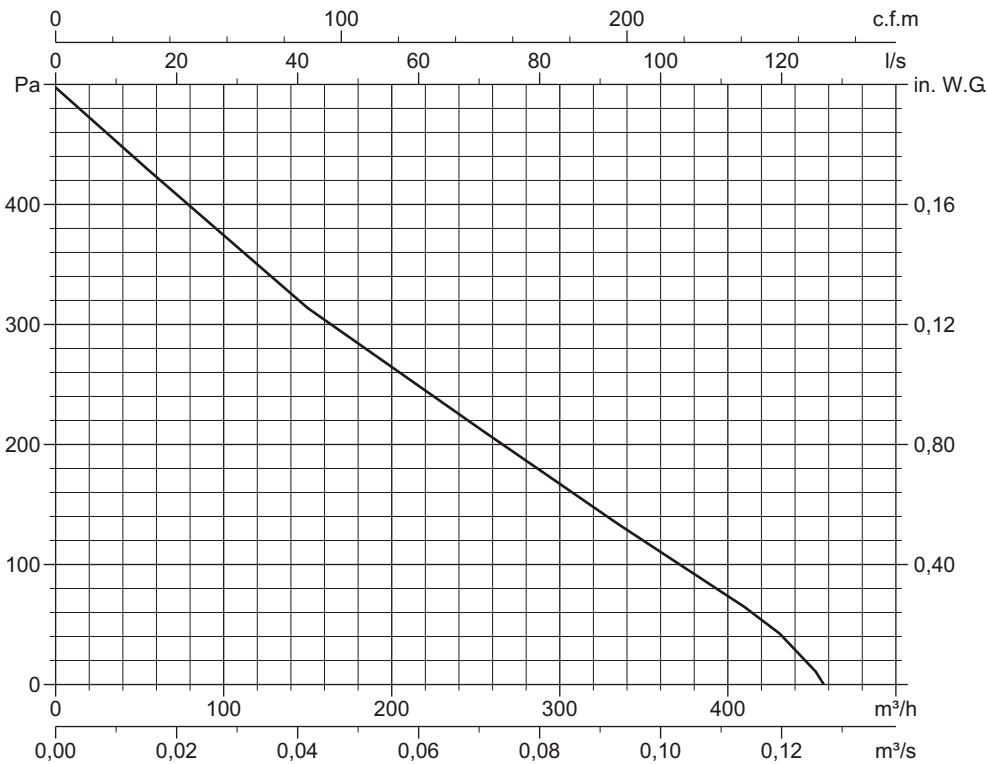
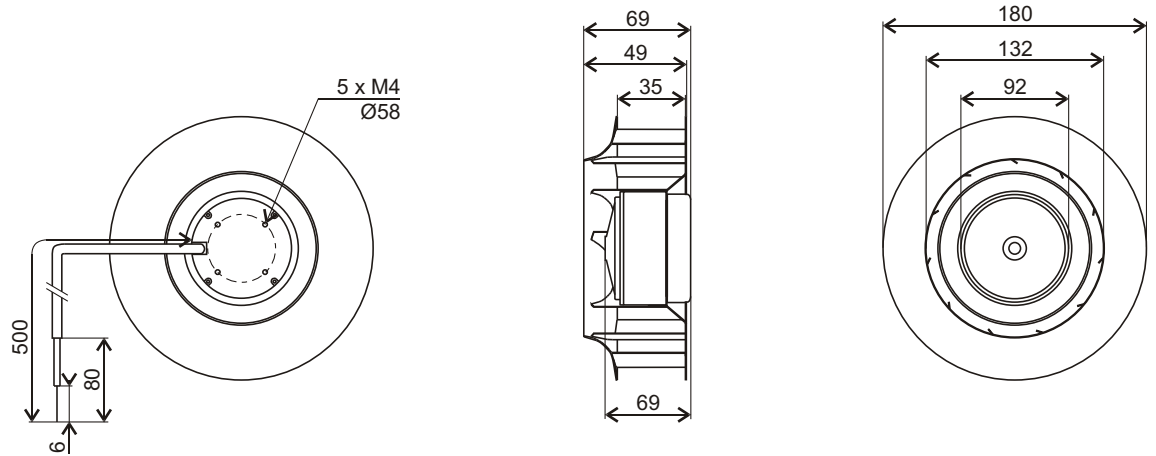


For professional use only. Please refer to the conditions of use of our catalogue.

January 2002

RRE48 180x35R code Z48-04

Voltage	Input power	Current	Air flow	Rotational speed	Sound level	Direction of rotation	Max. Air temp.
V	Wa	A	m ³ /h	rpm	dBA	↻	°C
48	56	1,20	455	3080	64	R	-20/+70



- Nominal voltage : 48VDC (36-60VDC).
- Reverse polarity protection.
- Soft start.
- Locked rotor protection.
- Tach out put (open collector).
- Controlled with 0-10VDC signal.
- IP 44.

Options :

- Alarm out put.
- Controlled with potentiometer or PWM signal.
- Temperature -40 / +85°C.
- IP 54.

