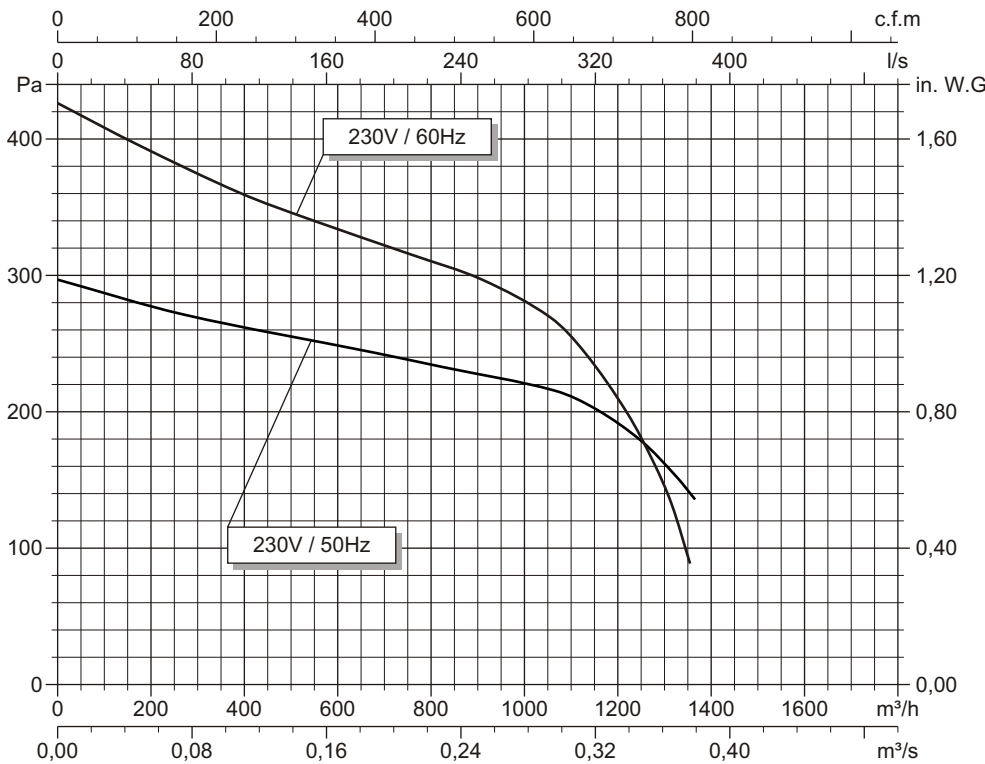
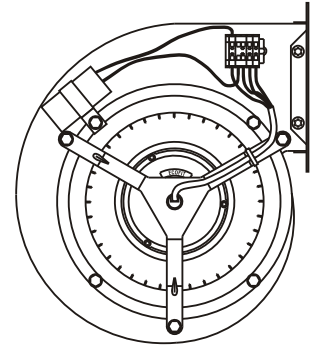
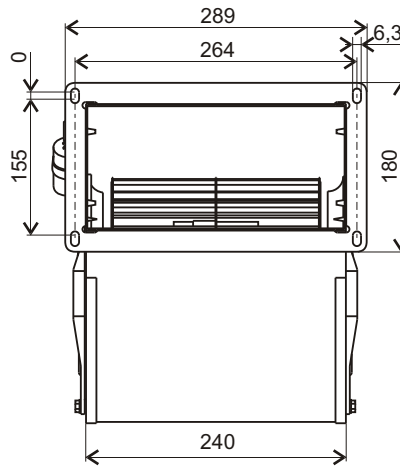
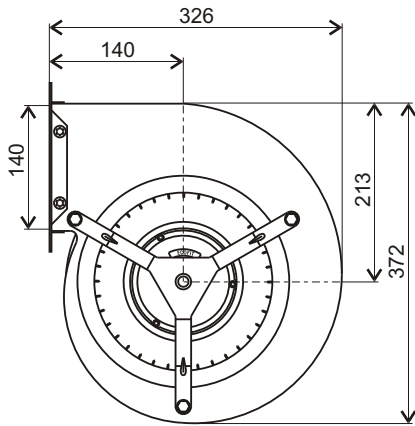
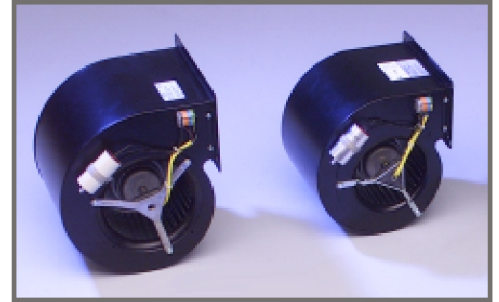


For professional use only. Please refer to the conditions of use of our catalogue.

February 2002

4GDF65 200x200L code R10-10

Voltage	Frequency	Input power	Current	Capacitor	Air flow	Rotational speed	Sound level	Direction of rotation	Max. Air temp.
V	Hz	Wa	A	µF	m³/h	rpm	dBA	↻	°C
230	50	251	1,14	6	1360	1020	56	L	-20 / +40
230	60	298	1,41	6	1350	1040	56	L	-20 / +40



- Ball bearings.
- Cl.F windings protected by thermal cut-out.
- Protection IP 54.
- Balancing G2.5.
- Steel painted black scroll.
- Galvanised steel impeller
- Capacitor fixed on the scroll and connected to a WAGO Connector.

