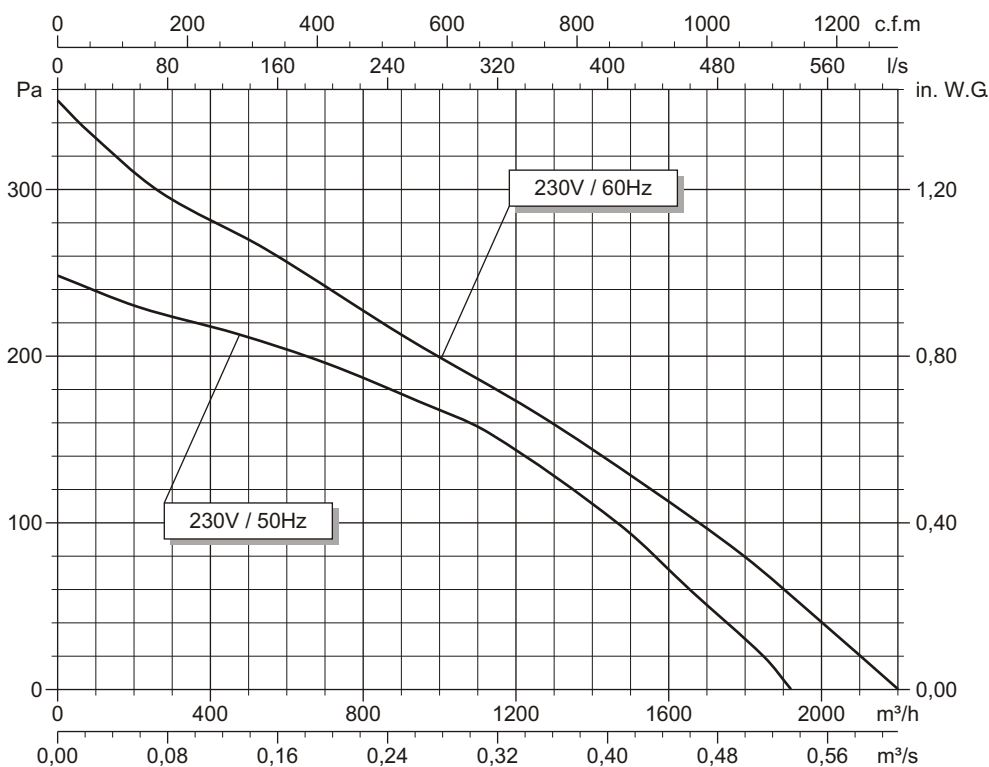
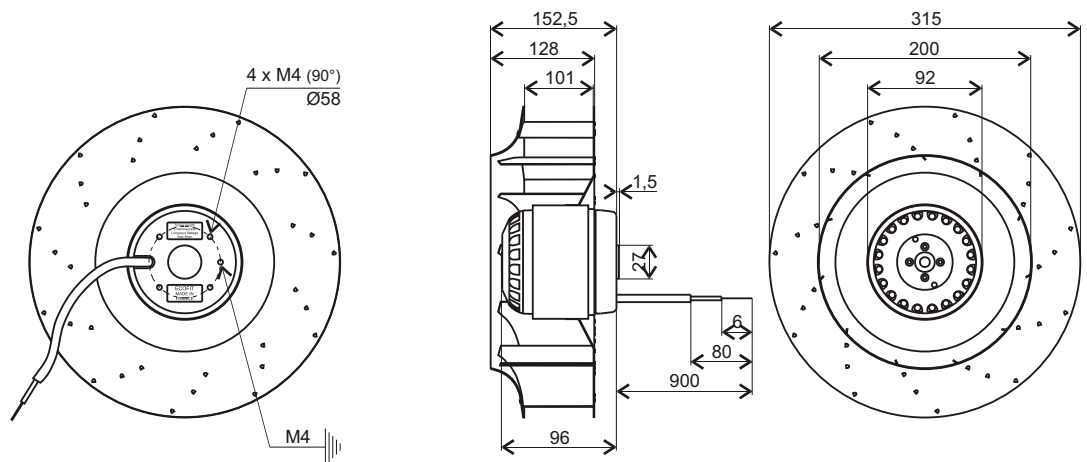


For professional use only. Please refer to the conditions of use of our catalogue.

March 2002

4RRE45 315x101R code T11-05

Voltage	Frequency	Input power	Current	Capacitor	Air flow	Rotational speed	Sound level	Direction of rotation	Max. Air temp.
V	Hz	Wa	A	µF	m ³ /h	rpm	dBA	↻	°C
230	50	127	0,57	4	1920	1355	62	R	-20 / +50
230	60	168	0,77	4	2200	1515	65	R	-20 / +50



- Ball bearings.
- Cl.F windings protected by thermal cut-out.
- Protection IP 44.
- Balancing G2.5.
- Black plastic (polypropylen) impeller.

